

Quick Start Guide

UNITY EdgeConnect

EdgeConnect Extra-Small Chassis
EdgeConnect Small Chassis
EdgeConnect Medium Chassis
EdgeConnect Large Chassis
EdgeConnect Extra-Large Chassis

Part I - Physical Installation

Before You Begin

- ❑ Check your packing slip to verify that you have all the necessary items.
- ❑ If installing an **EC-M-P**, first read, [Small Form-Factor Pluggable \(SFP+\) Module Installation Guide](#).
- ❑ If your EdgeConnect model requires it, ensure that you have the associated rack mount instructions.
- ❑ Make sure you have a standard Phillips screwdriver.
- ❑ Supply circuits should be protected by a minimum 15A, maximum 20A circuit breaker.
- ❑ On the network equipment, identify the 10/100/1000 Ethernet ports and/or the 1Gbps/10Gbps fiber ports.



Silver Peak Systems, Inc.
2860 De La Cruz Blvd
Santa Clara, CA 95050

1.877.210.7325 (toll-free in USA)
+1.408.935.1850
www.silver-peak.com/support

IMPORTANT - READ THIS FIRST: You must install and register your Orchestrator with the Silver Peak Cloud Portal **BEFORE** setting up an EdgeConnect appliance. After Orchestrator is registered with your account name and key, you can proceed with EdgeConnect installation.

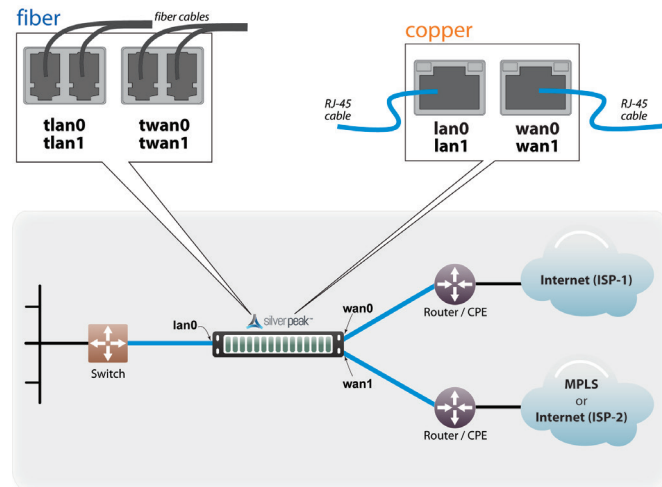
If you don't know or are unsure what role the Orchestrator plays, please contact your network architect or deployment lead.

1 Rack Mount the Appliance

Based on your model, refer to the separate instructions for rack mount, desk mount, or wall mount.

2 Install the Appliance into the Network

- Identify the relevant ports on the rear of the appliance.
- Connect network cables from the appliance to the identified network equipment ports.
NOTE: If red cables are supplied, use them on WAN ports.
- DO NOT connect the power cables yet.**



All copper RJ-45 Gigabit Ethernet interfaces in the Silver Peak appliance support MDI/MDI-X and auto-negotiation.

The fiber interfaces support:

- LC connectors
- multi-mode 50µ fiber / 62.5µ fiber
- single-mode 9µ fiber (EC-M-P only)

3 Connect Power Cords

Depending on the model, your appliance may have a single power supply, or redundant power supplies.

- Connect each power cable to the Silver Peak appliance and to your local power source.
- For redundancy, plug in **all** power cords, preferably to different power sources.

4 Turn the Power On

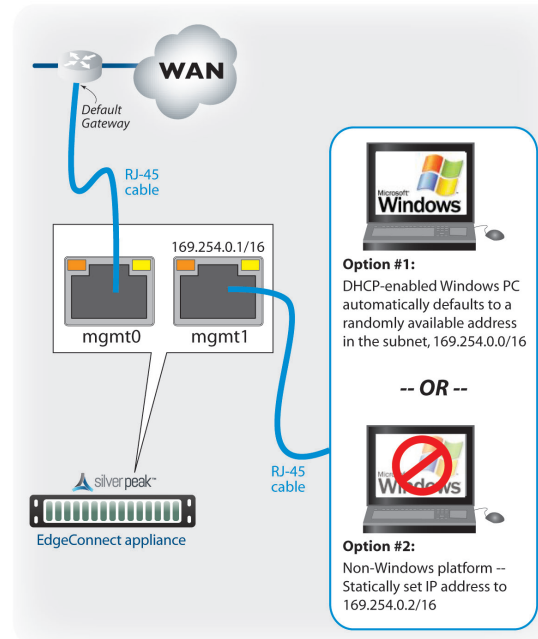
Some appliances power up as soon as they're plugged in, others don't. If the power is off, turn it on. If you don't plug in all the power cords, an audible alarm sounds until you do.

- Verify that each power supply's LED illuminates green.
- On the front panel, verify that the **Power** LED illuminates green or blue.

5 Optionally, connect the management ports

It is not necessary, however, if you want to create local, physical access to the management ports, you can do so as follows:

Silver Peak assigns the **MGMT1** ethernet interface a default IP address of **169.254.0.1** and a subnet mask of **/16** (the same as **255.255.0.0**).



Both RJ-45 Gigabit Ethernet interfaces (**MGMT0** and **MGMT1**) support MDI/MDI-X and auto-negotiation.

- Identify the appliance's **MGMT0** and **MGMT1** interfaces.
- Using an RJ-45 cable, connect the appliance's **MGMT0** interface to the network equipment interface.
- Using another RJ-45 cable, connect the appliance's **MGMT1** interface to your PC.

You've now completed the physical installation and are ready to register the product with Unity Orchestrator.

UNITY EdgeConnect

EdgeConnect Extra-Small Chassis
EdgeConnect Small Chassis
EdgeConnect Medium Chassis
EdgeConnect Large Chassis
EdgeConnect Extra-Large Chassis

Part 2 - Registration

Before You Begin

- Make sure that Orchestrator is installed and registered.
- Verify that you've received the email containing your Account Name and Account Key.

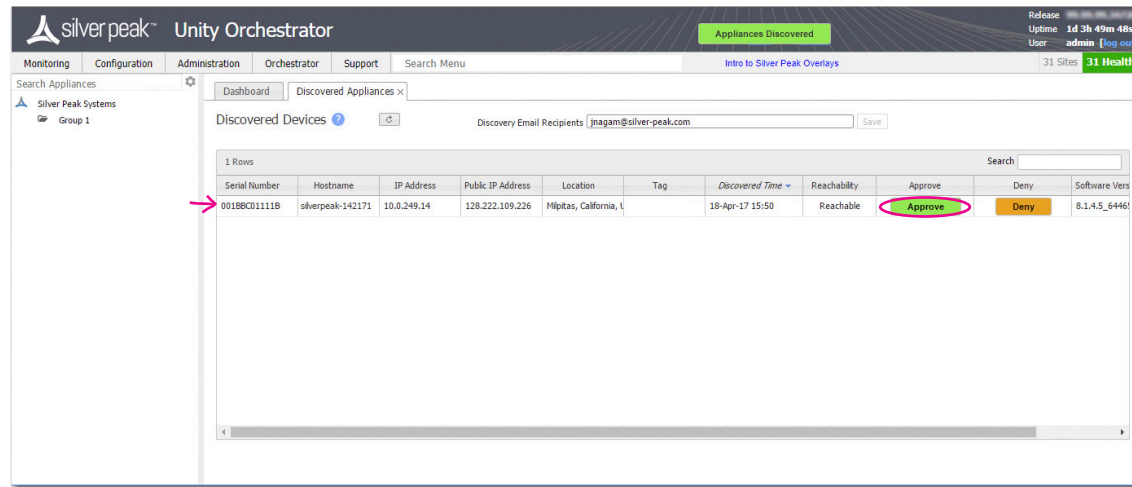
IMPORTANT - READ THIS FIRST: You must install and register your Orchestrator with the Silver Peak Cloud Portal **BEFORE** setting up an EdgeConnect appliance. After Orchestrator is registered with your account name and key, you can proceed with EdgeConnect installation.

If you don't know or are unsure what role the Orchestrator plays, please contact your network architect or deployment lead.

Approve the Discovered Appliance

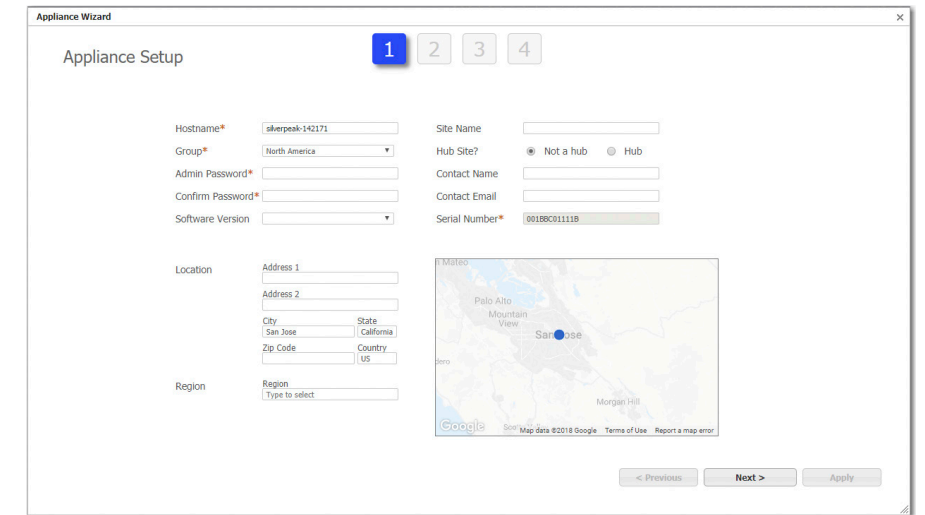
After you power on the EdgeConnect appliance, it automatically registers its serial number with the Silver Peak Cloud Portal. The portal knows how to associate a serial number with a particular account.

- a. Go to the Orchestrator.
- b. In the header, click the blinking box named **Appliances Discovered**. The **Discovered Appliances** page opens, listing the most recently discovered appliances first.



- c. After verifying that the appliance is yours, click **Approve**.
- d. Select the group and click **Apply**. The Appliance Manager Configuration Wizard opens.

2 Complete the Appliance Manager Configuration Wizard



- a. If you've also purchased *EdgeConnect Boost* or *EdgeConnect Plus*, and you want to apply it to this appliance, select the relevant check box(es) on the **Deployment Profile** page.
- b. At the end, click **Apply**. It may take up to two minutes to register the appliance.
- c. Complete the remaining wizard screens.
 - On the **Deployment** page's default configuration, the WAN-side interfaces use DHCP IP addresses, unless you manually enter static IP addresses.

