

Quick Start Guide

• Supplement •

RACK MOUNT INSTRUCTIONS

• 1-RU WITH RAILS •

NX-2700 to NX-11700

EdgeConnect Medium Chassis

EdgeConnect Large Chassis

EdgeConnect Extra-Large Chassis

Before You Begin

- ❑ Check your packing slip to verify that you have all the necessary items.
- ❑ Make sure you have a standard Phillips screwdriver. You may also need a flat-tipped screwdriver.



Silver Peak Systems, Inc.
2860 De La Cruz Boulevard
Suite 100
Santa Clara, CA 95050

1.877.210.7325 (toll-free in USA)
+1.408.935.1850
www.silver-peak.com/support

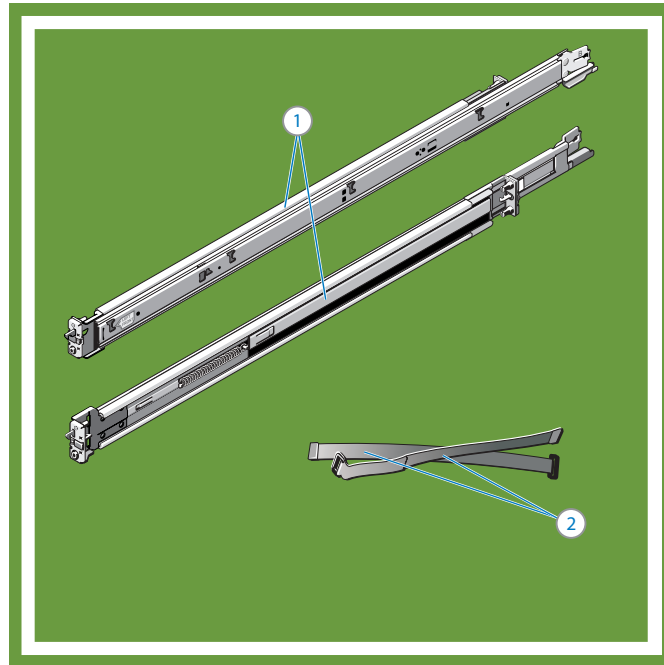
NOTES:

- Begin installing the rails in the allotted space that is closest to the bottom of the rack enclosure.
- The illustrations in this document do not represent a specific system.

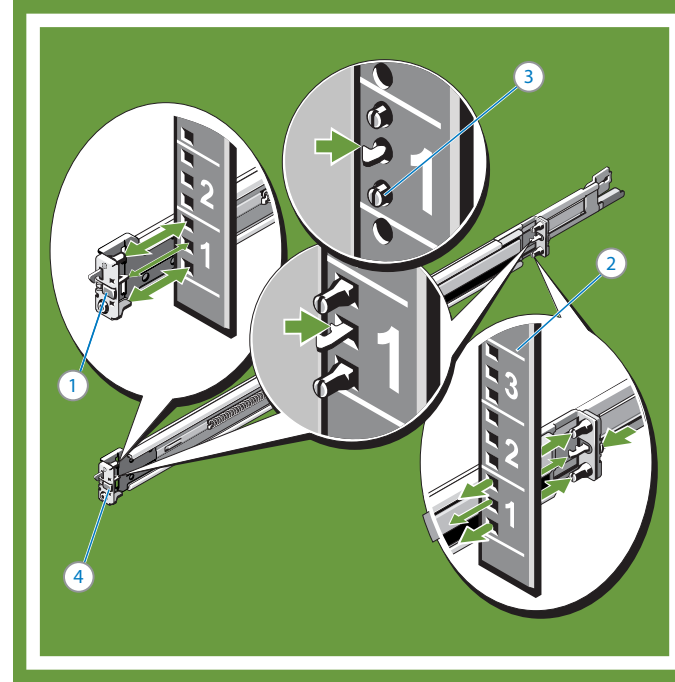
A Identifying the rail kit contents

Locate the components for installing the rail kit assembly:

- Two ReadyRails II sliding rail assemblies (1)
- Two hook and loop straps (2)

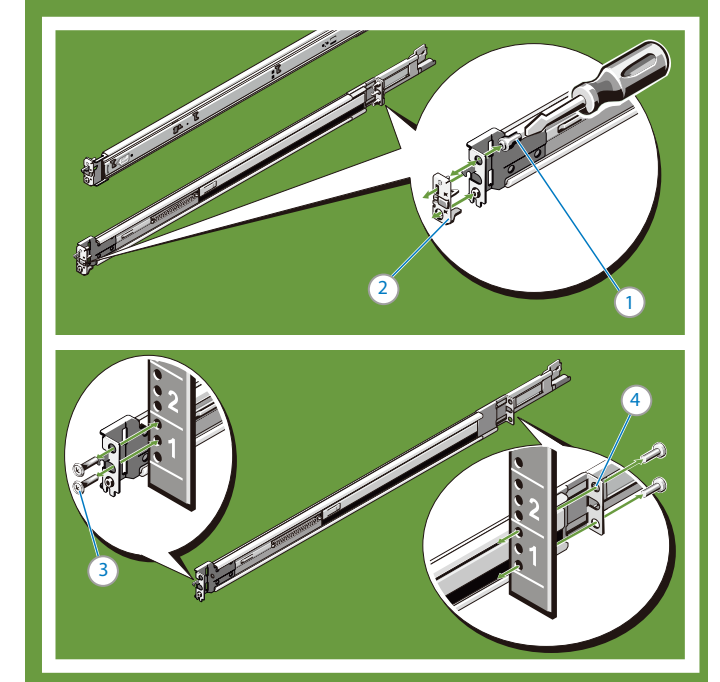


B Installing and removing tool-less rails (square hole or round hole racks)



1. Position the left and right rail end pieces labeled FRONT facing inward and orient each end piece to seat in the holes on the front side of the vertical rack flanges (1).
2. Align each end piece in the bottom and top holes of the desired U spaces (2).
3. Engage the back end of the rail until it fully seats on the vertical rack flange and the latch clicks into place.
4. Repeat these steps to position and seat the front end piece on the vertical rack flange (3).
5. To remove the rails, pull the latch release button on the end piece midpoint and unseat each rail (4).

C Installing and removing tooled rails (threaded hole racks)



1. Remove the pins from the front and rear mounting brackets using a flat-tipped screwdriver (1).
2. Pull and rotate the rail latch subassemblies to remove them from the mounting brackets (2).
3. Attach the left and right mounting rails to the front vertical rack flanges using two pairs of screws (3).
4. Slide the left and right back brackets forward against the rear vertical rack flanges and attach them using two pairs of screws (4).

Quick Start Guide

• Supplement •

RACK MOUNT INSTRUCTIONS

• 1-RU WITH RAILS •

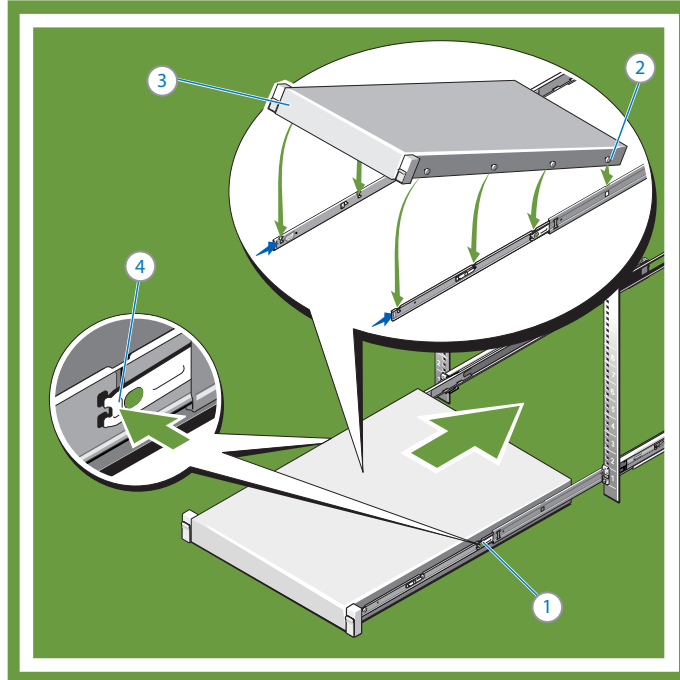
NX-2700 to NX-11700

EdgeConnect Medium Chassis

EdgeConnect Large Chassis

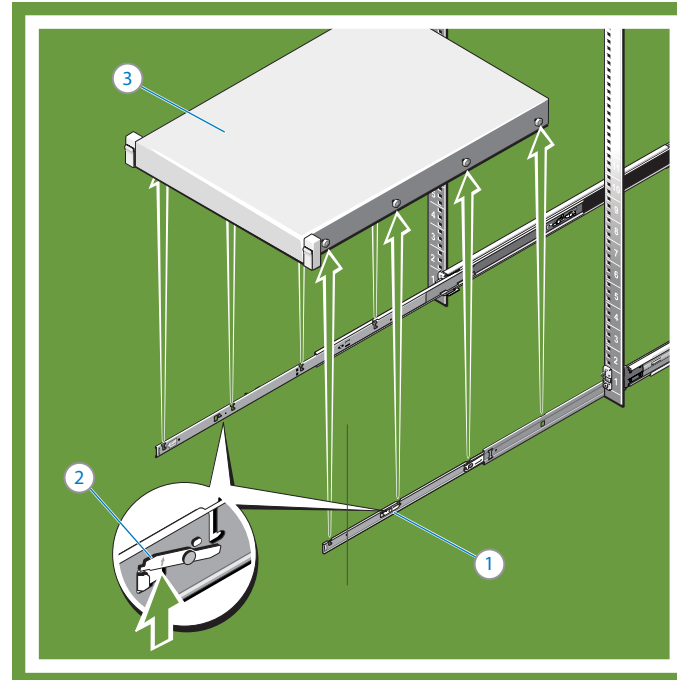
EdgeConnect Extra-Large Chassis

D Installing the system in a rack



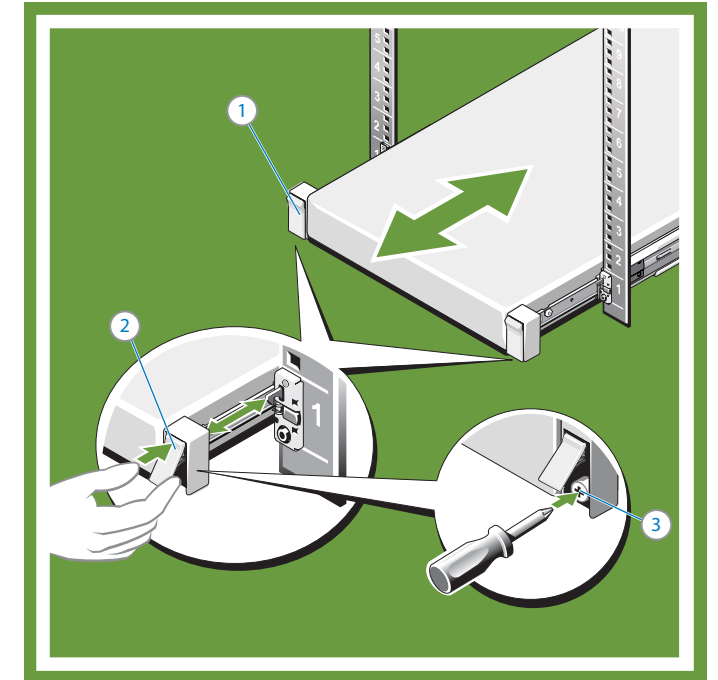
1. Pull the inner slide rails out of the rack until they lock into place (1).
2. Locate the rear rail standoff on each side of the system and lower them into the rear J-slots on the slide assemblies (2).
3. Rotate the system downward until all the rail standoffs are seated in the J-slots (3).
4. Push the system inward until the lock levers click into place.
5. Press the slide-release lock buttons on both rails and slide the system into the rack (4).

E Removing the system from the rack



1. Locate the lock levers on the sides of the inner rails (1).
2. Unlock each lever by rotating it up to its release position (2).
3. Grasp the sides of the system firmly and pull it forward until the rail standoffs are at the front of the J-slots.
4. Lift the system up and away from the rack and place it on a level surface (3).

F Engaging and releasing the slam latch



1. Facing the front, locate the slam latch on either side of the system (1).
2. The latches engage automatically as the system is pushed into the rack and are released by pulling up on the latches (2).
3. To secure the system for shipment in the rack or for other unstable environments, locate the hard-mount screw under each latch and tighten each screw with a #2 Phillips screwdriver (3).

Quick Start Guide

• Supplement •

RACK MOUNT INSTRUCTIONS

• I-RU WITH RAILS •

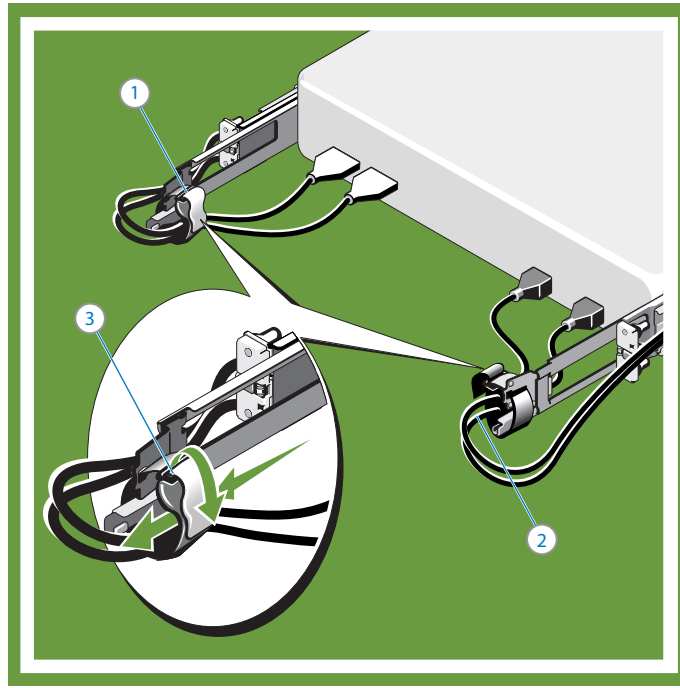
NX-2700 to NX-11700

EdgeConnect Medium Chassis

EdgeConnect Large Chassis

EdgeConnect Extra-Large Chassis

G Routing the cables



NOTE: Use the two hook and loop straps provided in the rail kit to route the cables at the back of your system.

1. Locate the outer CMA brackets on the interior sides of both rack flanges (1).
2. Bundle the cables gently, pulling them clear of the system connectors to the left and right sides (2).
3. Thread the hook and loop straps through the tooled slots on the outer CMA brackets on each side of the system to secure the cable bundles (3).



Silver Peak Systems, Inc.
2860 De La Cruz Boulevard
Suite 100
Santa Clara, CA 95050

1.877.210.7325 (toll-free in USA)
+1.408.935.1850
www.silver-peak.com/support